

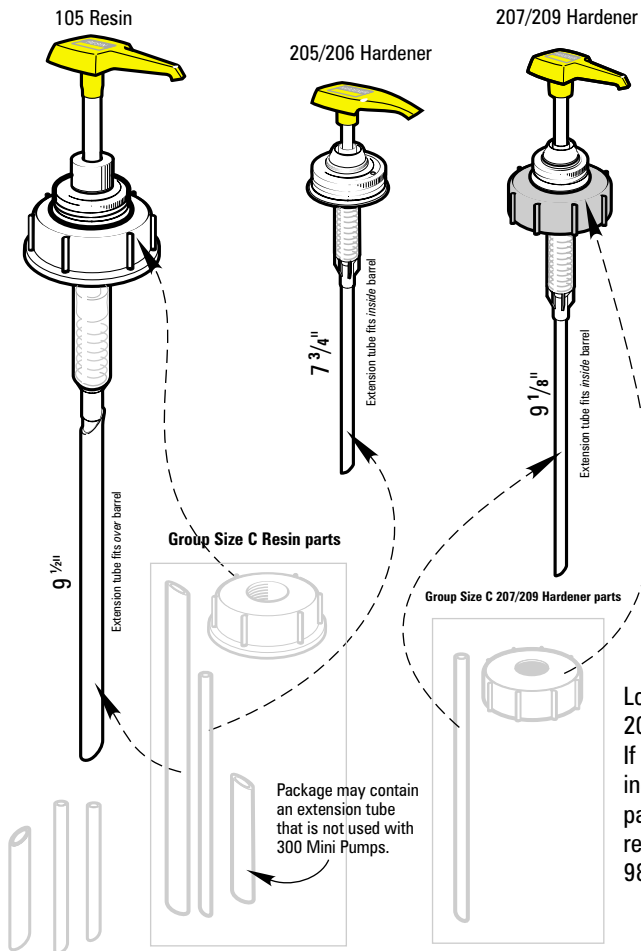
# 300 Mini Pump Set

For **Group Size C** containers—use the parts included in this 105-C Resin package and the 207-SC or 209-SC Hardener packages to modify pumps as follows:

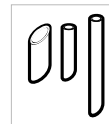
- 1** Identify pumps. Refer to 300 Mini Pump Set instructions.
- 2** Remove attached extension tubes and set aside.
- 3** Replace with longer extension tubes included in 105-C Resin package and (if used) the 207-SC or 209-SC Hardener package as illustrated—Note tube lengths.
- 4** Install plastic caps on the 105 Resin pump and (if used) the 207/209 Hardener pump. Slip the pump down through the top of the cap. Push the plastic cap up tight against the bottom of the metal pump cap.
- 5** Install modified pumps onto appropriate Group Size C containers.

Do not use 300 Mini Pumps (yellow heads) in combination with 301 or 303 Mini Pumps (white heads).

Follow directions on the 300 Mini Pump Set instruction sheet for priming and metering.



**WARNING!** 300 Mini Pumps have yellow heads. Do not use a 300 Mini Pump in combination with any pump with a white head.



Disregard Group Size A parts included in the 300 Mini Pump package

Look for these parts included in the 207-SC and 209-SC Hardener package. If the parts shown above are not included in the 207-SC or 209-SC package, contact Gougeon Brothers to receive free replacement parts. Call 989-684-7286.