

# SHOCKWAVE

# S5

## S5 | Shockwave S5-AL Suspension Base

SW-07823-B • SW-07823-W



### Shockwave S5-AL Suspension Base

The Shockwave S5-AL aluminum marine suspension base is constructed using anodized cast A360 aluminum that receives a long-lasting powder top-coat. Designed for additional stability over the S5-LW in moderate to heavy sea conditions by utilizing a 4-point forward action suspension design.

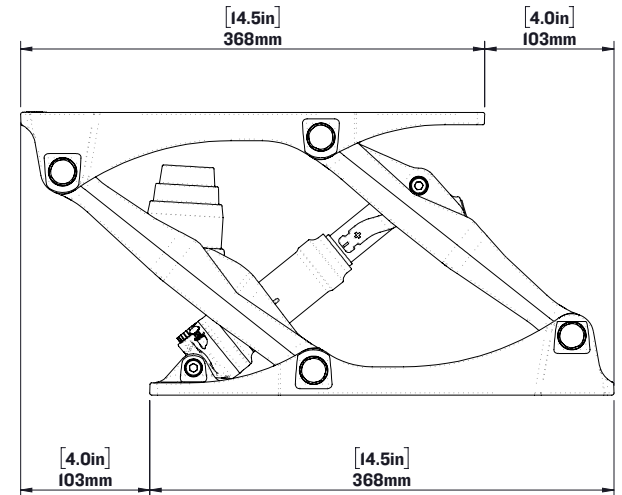
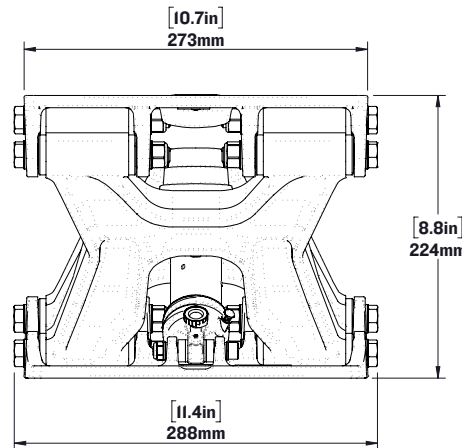
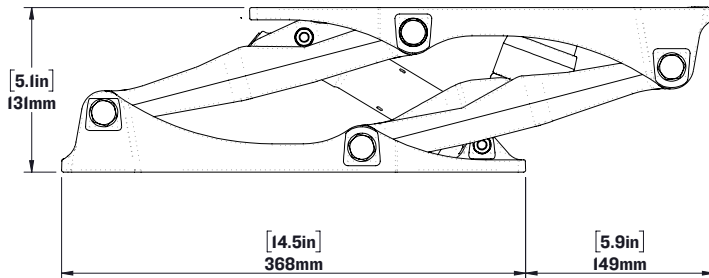
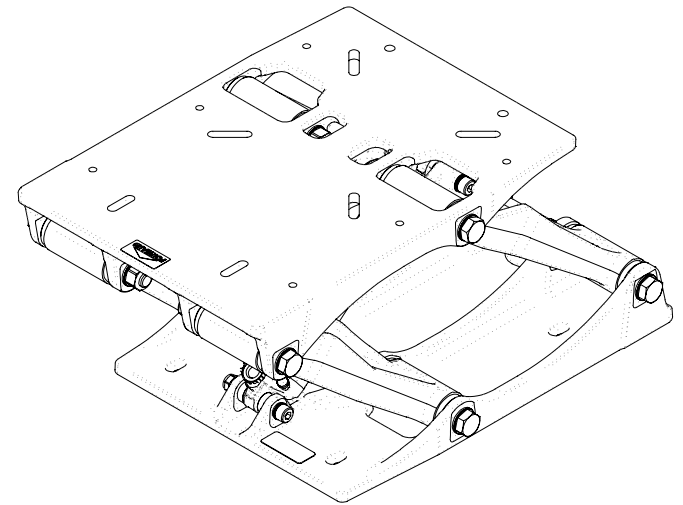
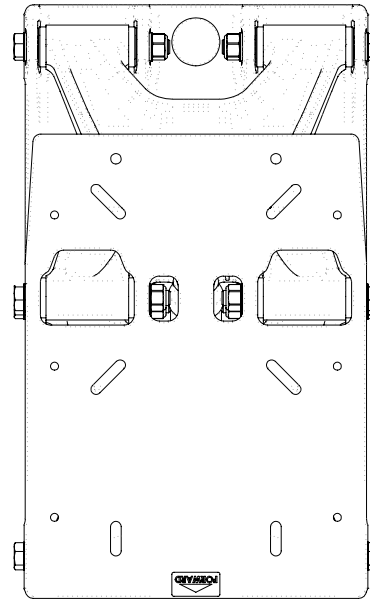
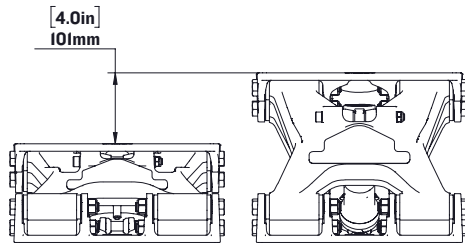
LEARN MORE ABOUT OUR PRODUCTS AT  
**SHOCKWAVESEATS.COM**

**TRAVEL**  
4" IN 100mm



+1-778-426-8545

sales@shockwaseats.com



NOTE:  
OCCUPIED SEAT HEIGHT WILL BE [1.0in] 25mm LOWER THAN LISTED DIMENSION

**SHOCKWAVE**

FOR MORE INFORMATION  
CALL US AT 1-778-426-8545  
OR VISIT US ONLINE AT  
[WWW.SHOCKWAVESEATS.COM](http://WWW.SHOCKWAVESEATS.COM)

**PROPRIETARY AND CONFIDENTIAL**

NOTICE: THIS DRAWING MAY REVEAL DESIGNS OR INFORMATION PROPRIETARY TO PROFESSIONAL COMPONENTS LTD. BY ACCEPTANCE OF REPRODUCTIONS, RECIPIENTS AGREE TO PROTECT PROFESSIONAL COMPONENTS LTD. RIGHTS AND ARE WARNED AGAINST USE OF THE DOCUMENT FOR ANY PURPOSE OTHER THAN THAT FOR WHICH IT WAS ISSUED.

**SW-07823-B**

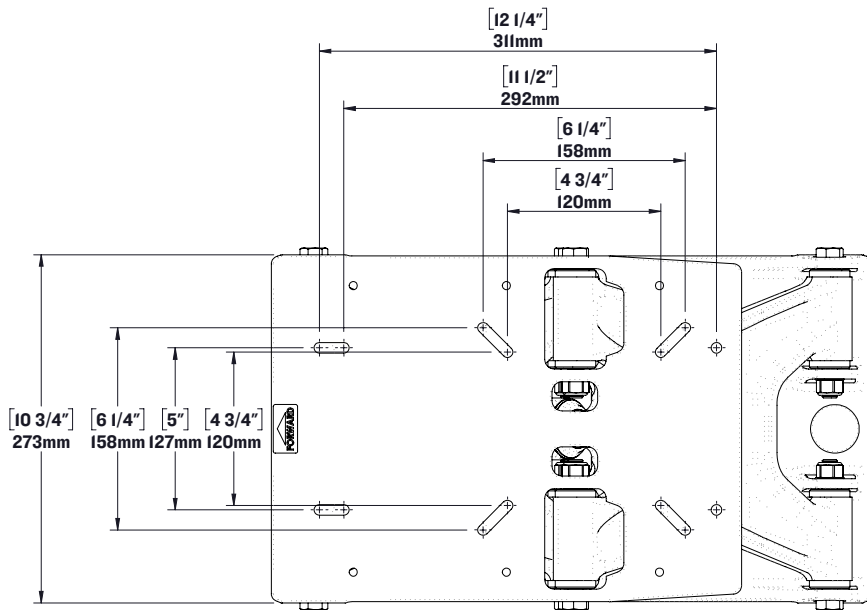
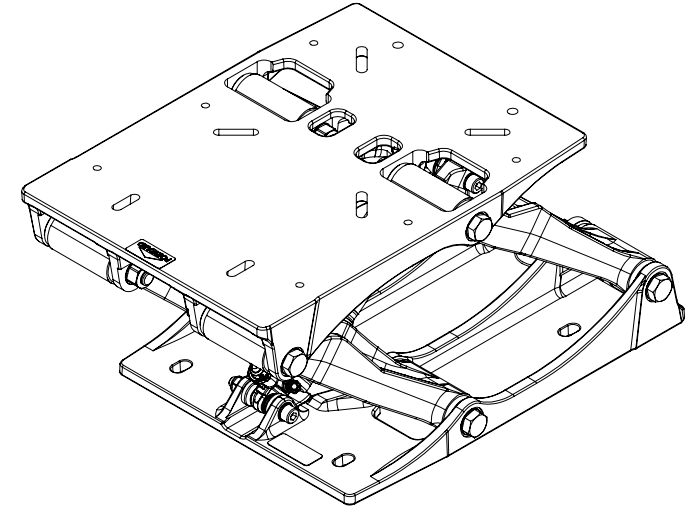
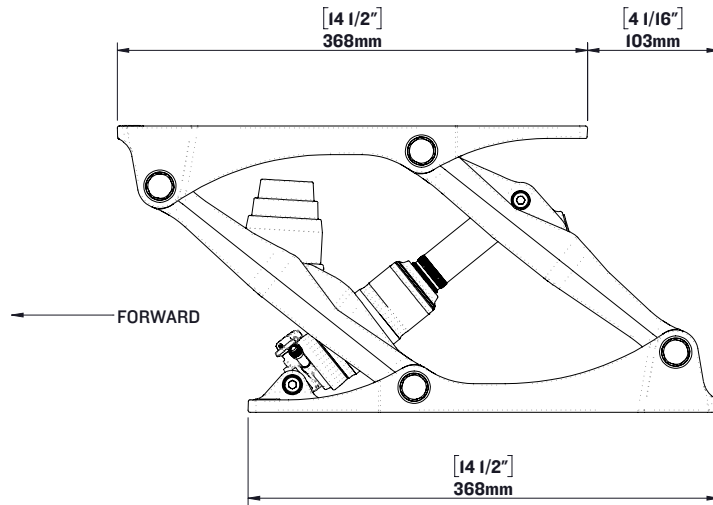
S5-AL Suspension Base - Sentinel - Black

WEIGHT: [27.7 lbs] 12.5 kg

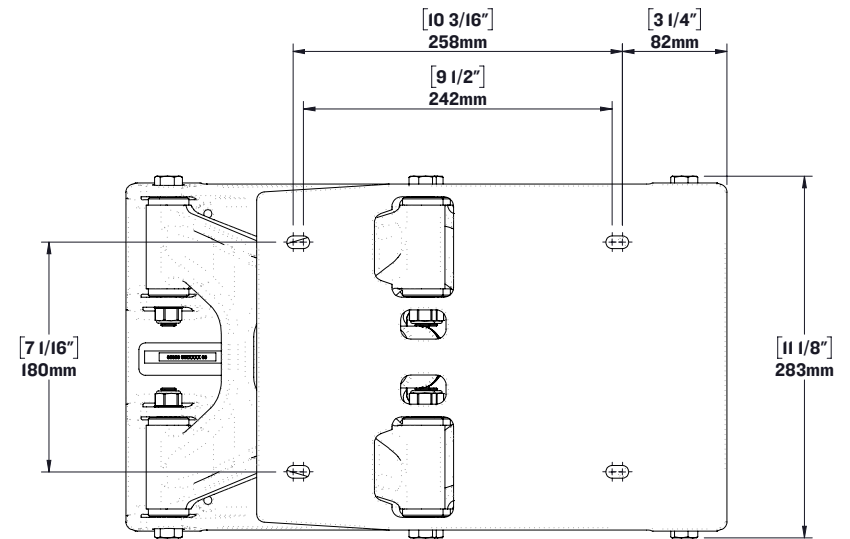
SCALE:1:6

SHEET 1 OF 1

REV: 04



TOP



BOTTOM

NOTES:

1. ALL DIMENSIONED HOLES & SLOTS ARE 5/16"

**SHOCKWAVE**

FOR MORE INFORMATION  
CALL US AT 1-778-426-8545  
OR VISIT US ONLINE AT  
[WWW.SHOCKWAVESEATS.COM](http://WWW.SHOCKWAVESEATS.COM)

**PROPRIETARY AND CONFIDENTIAL**

NOTICE: THIS DRAWING MAY REVEAL DESIGNS OR INFORMATION PROPRIETARY TO PROFESSIONAL COMPONENTS LTD. BY ACCEPTANCE OF REPRODUCTIONS, RECIPIENTS AGREE TO PROTECT PROFESSIONAL COMPONENTS LTD. RIGHTS AND ARE WARNED AGAINST USE OF THE DOCUMENT FOR ANY PURPOSE OTHER THAN THAT FOR WHICH IT WAS ISSUED.

**SW-07823**

Shockwave S5-AL Suspension Base

WEIGHT: [26.46 lbs] 12 kg

SCALE:1:6

SHEET 1 OF 1

REV: 00