

Tails- Long Thread 90°

Designed and made in New Zealand, TruDesign Long Thread Tails are the superior composite connection for fitting hoses to threaded fittings.



TruDesign Tails are moulded from a glass reinforced nylon composite. High strength, high-modulus glass fibres impregnated into the nylon provides dramatic strength, stiffness, toughness, and dimensional stability. TruDesign Tails eliminate the corrosion and electrical bonding problems associated with metallic fittings. The Tails are designed for twin hose clamps, and to not crush under high load conditions.

Key Features

Feature	Benefit
Manufactured from a glass reinforced nylon composite	High strength and light weight.
Immune to corrosion and electrolysis	Long life with no concerns over decreased performance due to corrosion.
Chemical resistant	Impervious to diesel, petrol and antifouling paints.
UV resistant	These fittings will not break down with ultraviolet light or discolour from the sun.
High quality surface finish	Will not discolour with green film as similar bronze fittings do.
Fits TruDesign Ball Valves, BSP and NPS threads.	Universal compatibility to other TruDesign fittings, and other marine components.
Large operating temperature range	Suitable for all marine environments, from -40°C to +110°C.

Installation

For thread sealing see TruDesign Technical information sheet on our web site www.trudesignplastics.com - for suitable adhesive sealants and or thread tapes.

The connecting thread type are either BSP or NPS and clearly marked on the side of the fitting along with size. The advantage of parallel threads rather than tapered is that there can be maximum engagement between the mating threads providing a stronger connection.

Do not over tighten, simply allow the adhesive sealant to provide the seal. To achieve the correct orientation simply screw the fitting all the way home then "back it off" to the correct orientation to suit hose direction. Adhesive sealants best provide both the mechanical strength and sealing.

Apply twin hose clamps for a secure hose connection and check tightness regularly.

Part Numbers BSP

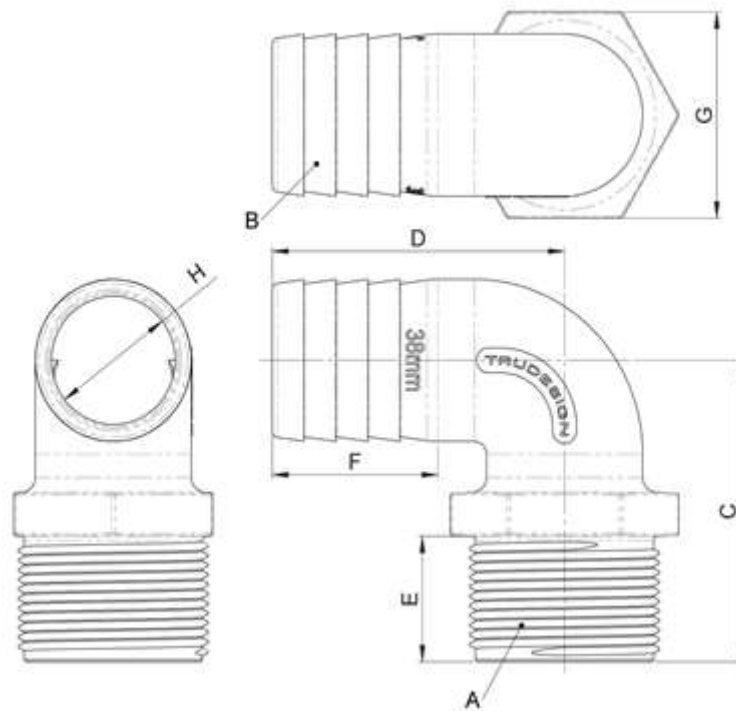
90517	Tail 13mm ½" BSP Long Thread 90°
90565	Tail 13mm ½" BSP Long Thread 90° PKG
90372	Tail 19mm ¾" BSP Long Thread 90°
90566	Tail 19mm ¾" BSP Long Thread 90° PKG
90373	Tail 25mm 1" BSP Long Thread 90°
90567	Tail 25mm 1" BSP Long Thread 90° PKG
90374	Tail 32mm 1¼" BSP Long Thread 90°
90568	Tail 32mm 1¼" BSP Long Thread 90° PKG
90375	Tail 38mm 1½" BSP Long Thread 90°
90569	Tail 38mm 1½" BSP Long Thread 90° PKG
90376	Tail 50mm 2" BSP Long Thread 90°
90570	Tail 50mm 2" BSP Long Thread 90° PKG
90877	Tail Unequal 16mm ½" BSP Long Thread 90°
90878	Tail Unequal 16mm ½" BSP Long Thread 90° PKG
90529	Tail Unequal 38mm 1¼" BSP Long Thread 90°
90571	Tail Unequal 38mm 1¼" BSP Long Thread 90° PKG
	* PKG denotes product supplied in branded bag

Part Numbers NPS

90861	Hose Barb 90° ½" x ½" NPS Long Thread
90862	Hose Barb 90° ½" x ½" NPS Long Thread PKG
90895	Hose Barb 90° ¾" x ¾" NPS Long Thread
90896	Hose Barb 90° ¾" x ¾" NPS Long Thread PKG
90897	Hose Barb 90° 1" x 1" NPS Long Thread
90898	Hose Barb 90° 1" x 1" NPS Long Thread PKG
90899	Hose Barb 90° 1¼" x 1¼" NPS Long Thread
90900	Hose Barb 90° 1¼" x 1¼" NPS Long Thread PKG
90901	Hose Barb 90° 1½" x 1½" NPS Long Thread
90902	Hose Barb 90° 1½" x 1½" NPS Long Thread PKG
90903	Hose Barb 90° 2" x 2" NPS Long Thread
90904	Hose Barb 90° 2" x 2" NPS Long Thread PKG
90905	Hose Barb 90° Unequal ⅝" x ½" NPS Long Thread
90906	Hose Barb 90° Unequal ⅝" x ½" NPS Long Thread PKG
91184	Hose Barb 90° Unequal 1 ⅛" x 1" NPS Long Thread
91185	Hose Barb 90° Unequal 1 ⅛" x 1" NPS Long Thread PKG
91186	Hose Barb 90° Unequal 1 ½" x 2" NPS Long Thread
91187	Hose Barb 90° Unequal 1 ½" x 2" NPS Long Thread PKG
	* PKG denotes product supplied in branded bag

Dimensions - All dimensions nominal.

A	B		C		D		E		F		G		H	
Thread Size	Tail Size		Length		Length		Thread Length		Tail Length		Hex Size AF		Minimum Internal Ø	
½"	13mm	¾"	51mm	2"	44mm	1 3/4"	25mm	1"	31mm	1 2/9"	25mm	1"	8mm	2/7"
¾"	19mm	¾"	57mm	2 1/4"	52mm	2"	25mm	1"	31mm	1 2/9"	30mm	1 1/6"	13mm	1/2"
1"	25mm	1"	66mm	2 4/7"	65mm	2 5/9"	30mm	1 1/6"	41mm	1 5/8"	35mm	1 1/3"	19mm	3/4"
1 ¼"	32mm	1 ¼"	70mm	2 3/4"	71mm	2 4/5"	30mm	1 1/6"	41mm	1 5/8"	44mm	1 5/7"	25mm	1"
1 ½"	38mm	1 ½"	73mm	2 6/7"	73mm	2 7/8"	30mm	1 1/6"	41mm	1 5/8"	50mm	2"	31mm	1 2/9"
2"	50mm	2"	75mm	3"	73mm	2 7/8"	30mm	1 1/6"	41mm	1 5/8"	62mm	2 3/7"	43mm	1 2/3"
½"	16mm	⅝"	51mm	2"	50mm	2"	25mm	1"	31mm	1 2/9"	25mm	1"	10mm	2/5"
1"	28mm	1 ½"	66mm	2 4/7"	65mm	2 5/9"	30mm	1 1/6"	41mm	1 5/8"	35mm	1 1/3"	21mm	5/6"
1 ¼"	38mm	1 ½"	73mm	2 6/7"	73mm	2 7/8"	30mm	1 1/6"	41mm	1 5/8"	44mm	1 5/7"	31mm	1 2/9"
2"	38mm	1 ½"	75mm	3"	73mm	2 7/8"	30mm	1 1/6"	41mm	1 5/8"	62mm	2 3/7"	31mm	1 2/9"



The information contained in this information sheet is for general information purposes only. The information is provided by TruDesign™ and while we endeavour to keep the information up to date and correct, we make no representations or warranties of any kind, express or implied, about the completeness, accuracy, reliability, suitability or availability. Any reliance you place on such information is therefore strictly at your